

CHOPPER HOPPER™

THE ULTIMATE PROCESS ENHANCER

The Moyno® Chopper Hopper™ is a powerful and aggressive grinder pump that annihilates objects like whole fruits and vegetables into a pumpable puree or mash. Up to three stages of solids reduction are available for coarse, medium, and fine particle size. Drastic size reduction occurs in the first stage where fierce cutting blades grab, tear, and shred solids, as big as whole watermelons, down to a particle size of less than 1" in a single pass. Second and third stage grinding provides the desired solid size and texture needed.

The Moyno Chopper Hopper is a cost-effective solution for maximizing your process efficiency or handling your waste by-products. It's fast, simple and effective with minimal maintenance required. Integral to the heavy duty design is Moyno's proprietary gear joint, which provides the longest life of any progressing cavity pump. This unique and durable grinder pump system is only available from Moyno.

The Moyno Chopper Hopper offers:

Ease of Processing

- Grinding and pumping operation in a single, compact package
- Large surge capacity hopper
- Fast process times through three stages of solids reduction
- High flow rates

Multiple Cutter Designs

- Angled cutters for grabbing/tearing large size objects
- Additional cutters located in the extension tube for further solids reduction
- Optional fine grind conditioning through homogenizing unit

Additional Benefits

- Rugged progressing cavity pump with low friction gear joint design
- Easy disassembly of cutter shafts and pump internals
- Carbon, stainless steel or specialized materials of construction



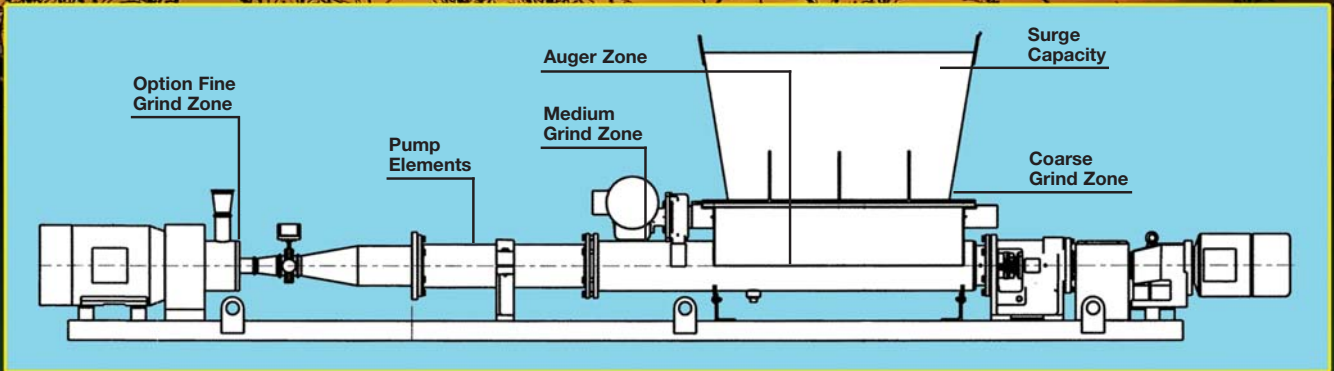
Applications

- Food processing
- Waste handling for disposal
- Rework or recovery of product
- Rendering plants
- Slaughter plants — process internal organs
- Ethanol production
- Orange peels, juicers
- Waste potatoes



Always the Right Solution™

MOYNO® CHOPPER HOPPER™ IMPROVES PROCESSING EFFICIENCY



Whole Pumpkin



Coarse Grind Pumpkin



Fine Grind Pumpkin

For information about Moyno products or for technical assistance, contact:

Moyno, Inc.
P.O. Box 960
Springfield, OH 45501-0960
U.S.A.
Telephone: 1-877-4UMOYNO
Facsimile: 937-327-3572
E-Mail: mipinfo@moyno.com

www.moyno.com

Bulletin 315



Always the Right Solution™

Note: Information contained herein is subject to change without notice. Before making a final product selection, please contact your Moyno representative.

Your Moyno Authorized Distributor/Representative is: