

POWERFLOW™

The High Performance Process Pump for Demanding Applications

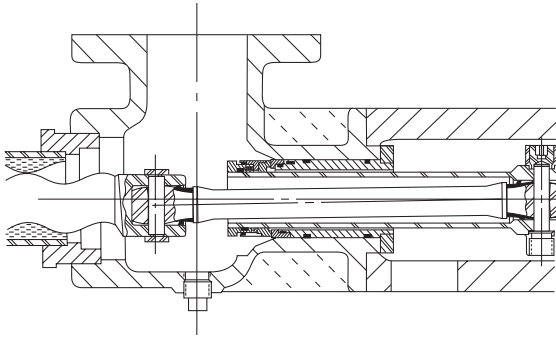
In highly viscous, abrasive or corrosive applications where ordinary pumps struggle to survive ... Moyno® PowerFlow™ Pumps perform. With hardened tool steel pumping elements and the proprietary Moyno Power Seal™, these pumps offer superior performance and long life in meeting any combination of the following application requirements:

- Flows to 400 GPM
- Differential pressure to 1500 psi
- Viscosities up to 1,000,000 cps
- Temperatures to 350°F standard, optional 500°F
- Low shear and product degradation
- Solids handling capability up to 40% by weight, sizes up to half cavity diameter for soft solids and up to 200 microns for hard solids
- Hardened pumping elements for abrasion resistance
- Non-pulsating, constant flow, with no check valves or pulsation dampeners
- Sealing integrity
- Rapid temperature fluctuations
- Viscosity variations from hot water thin to very viscous



MOYNO

Always the Right Solution™

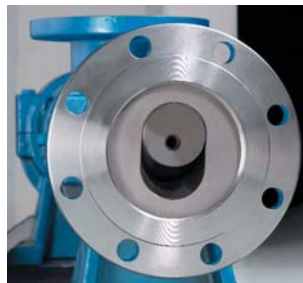


Sealing Options

- Specially designed seal chamber with proprietary, heavy duty seals
- Conventional stuffing box
- Seal and packing material selections

Standard Wetted Parts Materials

- Hardened tool steel pumping elements, cast iron body
- Hardened 17-4 PH Stainless Steel pumping elements, SS 316 body



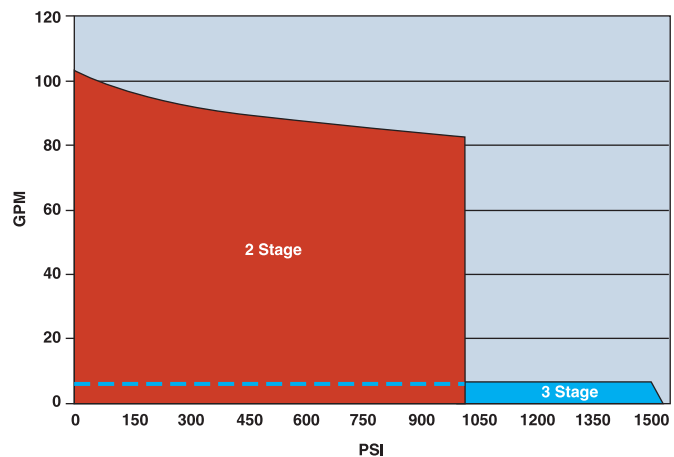
Construction/Accessory Options

- Abrasive duty construction
- High temperature 500°F option
- Jacketing: bolt-on, carbon steel
- Run dry protection

Applications

- Adhesives and sealants
- Paints and coatings
- Filled asphalts, coal tar epoxy
- Polymers and resins
- Plastics and synthetic rubber
- Pastes and gels
- Soaps and detergents
- Petroleum: Slop oil, residuals
- Paper: Hot starch, de-inking sludge
- Semi-sanitary services
- Chemical and industrial waste

PowerFlow Capability



Moyno, Inc.
 P.O. Box 960
 Springfield, OH 45501
 U.S.A.
 Telephone: 1-877-4UMOYNO
 Facsimile: 937-327-3572
 E-Mail: info@moyno.com

Bulletin 105



Always the Right Solution™

Your Moyno Authorized Distributor/Representative is: